

## SONNY'S SUPER SERVICE PF5203

Model the bustle of your layout's local full-treatment service station. Each morning, station attendants at Sonny's Super Service fill gas tanks, check oil levels, air tires and offer the latest weather report or newest piece of automotive advice.



### MODELING AND CARE INFORMATION

This kit suggests the use of materials that may stain or cause damage. Take care to cover project area and clothing appropriately. Follow recommendations for use and cleanup.



**CAUTION:** Cutting tools recommended. Use with care.



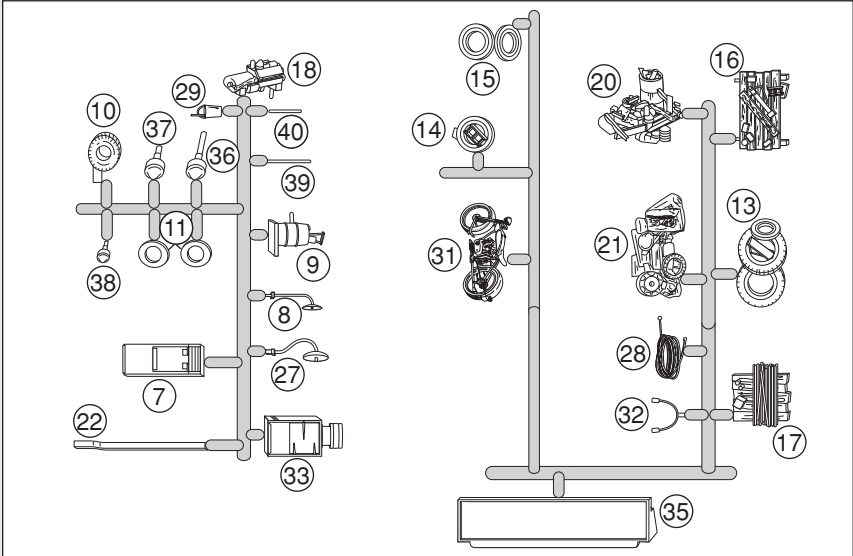
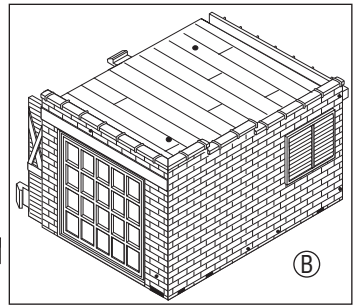
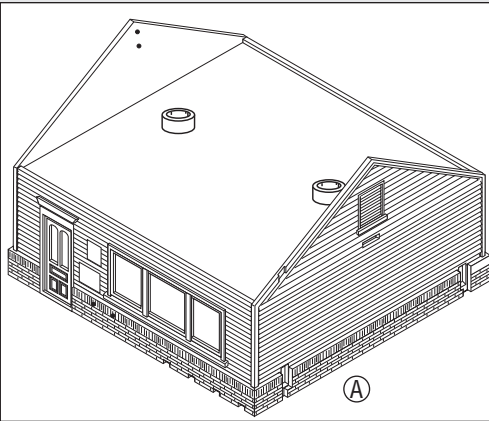
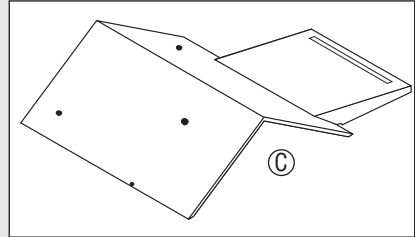
We make every effort to ensure our kits are manufactured complete. However, if this kit is missing a part, please make note of the kit name, number and missing part. Contact the Sales and Customer Service Department at PO Box 98, Linn Creek, MO 65052, 573-346-5555 or [sales@woodlandscenics.com](mailto:sales@woodlandscenics.com).

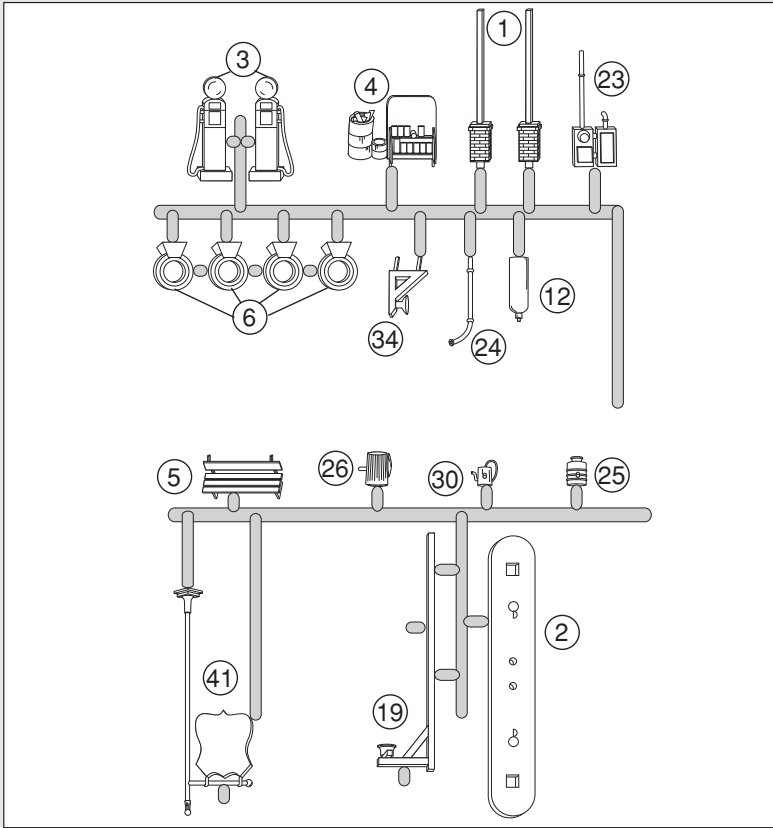


## SONNY'S SUPER SERVICE

### Building Kit Contents

- Main Building Shell
- Garage Shell
- Roof
- 2 Screws
- Sprues with Details
- Clear Window Material
- Dry Transfer Decals
- Blackout Paper





## Before You Begin

- Read through instructions.
- Collect additional supplies.
- Check kit contents and verify Details.
- Cover project area with newspaper.

**TIP!** To assist in assembly, refer to exploded-view illustration on back of box.

## Additional Needed Supplies

- |  |   |
|--|---|
| <input type="checkbox"/> Solvent-based Plastic Cement*                 | <input type="checkbox"/> Fine-grade Sandpaper     |
| <input type="checkbox"/> Cyanoacrylate Adhesive (CA glue / super glue) | <input type="checkbox"/> Tweezers                 |
| <input type="checkbox"/> Paints (acrylic or enamel)*                   | <input type="checkbox"/> Scissors                 |
| <input type="checkbox"/> Primer*                                       | <input type="checkbox"/> Newspaper                |
| <input type="checkbox"/> Painting Tools                                | <input type="checkbox"/> Burnisher or Dull Pencil |
| <input type="checkbox"/> Hobby Knife / Flush Cutting Shears            | <input type="checkbox"/> Ruler                    |
| <input type="checkbox"/> Phillips Screwdriver                          |   |

**NOTE:** Plastic cement works by dissolving the surface of plastic and welding parts together. Avoid contact with detail on parts. Always allow glue to set before moving to the next step.

\*Contact your local hobby shop for recommendations.

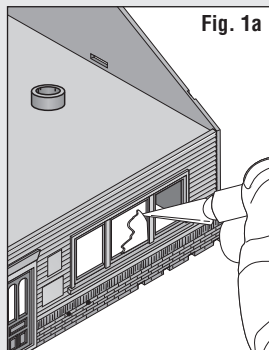
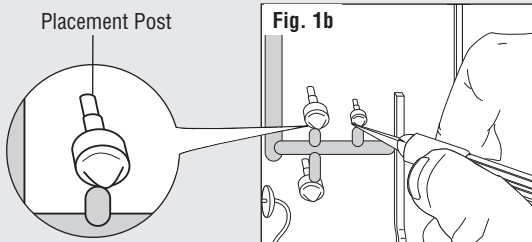
## 1. Building and Detail Preparation

- Remove any mold flash from Building Shells (A), (B) and Roof (C) using a hobby knife and sandpaper (Fig. 1a). Mold flash may need to be cleaned from placement holes.
- Wash Buildings, Roof and Details (on sprue) in warm, soapy water using a mild detergent. Rinse and let dry.
- Remove Details from sprue using a hobby knife (or flush cutting shears) (Fig. 1b).

**NOTE:** Do not remove placement posts.

- Sand off any mold flash and parting lines from Details.

**NOTE:** Do not sand placement posts.

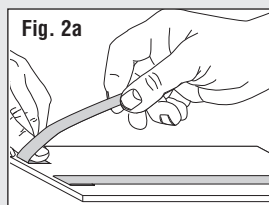
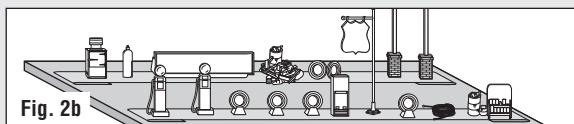


## 2. Prime and Paint

**NOTE:** Do not prime or paint placement posts.

- Apply a thin coat of primer to Building Shells, Roof and Details.
- Allow to dry.
- Paint Building Shells, Roof and Details, as desired.
- Allow to dry.

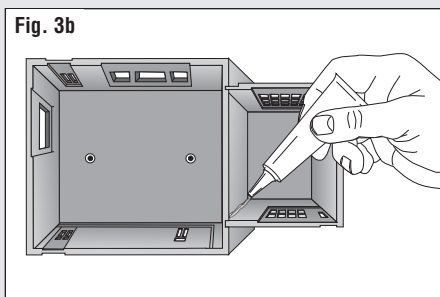
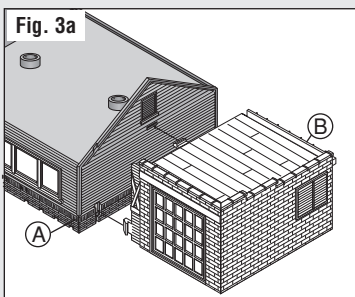
**OPTION:** Add a realistic mortar-look to brickwork (see *Tips and Techniques*, page 6).



**TIP!** To make priming and painting easier, tape Details (unexposed side down) to loops of masking tape on a piece of cardboard (Fig. 2a and 2b).

## 3. Install Garage

- Align tabs on garage section (B) with slots on main building (A) and snap into place (Fig. 3a).
- Apply glue to inside edges (Fig. 3b).

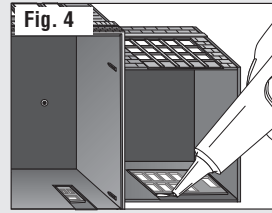


## 4. Install Window Material

Remove protective film before installation.

- Cut out the Clear Window Material to fit windows.
- Place Building on its front face with the bottom toward you.
- Center Window Material over window on inside of Building.
- Carefully dab a small amount of glue around edges (Fig. 4).
- Repeat for each set of window openings.

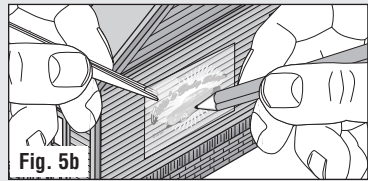
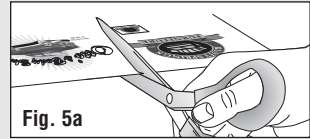
**TIP!** Apply Dry Transfer Decals to windows before installing.



## 5. Apply Decals

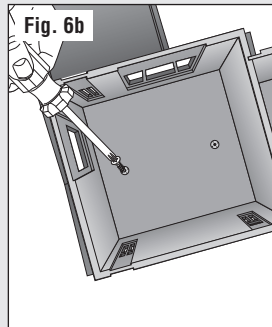
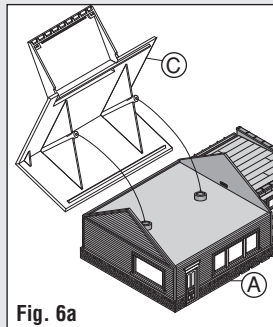
- Cut out Decals, leaving a slight edge (Fig. 5a).
- Grasp edge of Decal with tweezers and avoid handling the back.
- Position in desired location and rub over entire Decal area with burnisher or dull pencil (Fig. 5b).
- Carefully lift away carrier sheet.
- Place backing paper over Decal and rub again for maximum adhesion.
- Apply Decals to Signs (35, 41)

**NOTE:** Test fit Signs before applying Decals. You don't want your signs upside-down!



## 6. Install Roof

- Install Roof (C) by positioning Main Building (A) with the 3-part window facing forward, and placing the Roof on the building with the overhang facing forward (Fig. 6a).
- Install Screws 2x from underneath building (Fig. 6b).

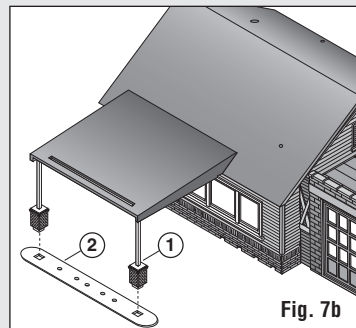
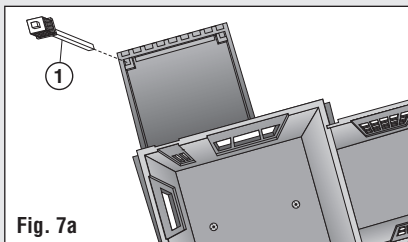


## 7. Install Front Canopy Support

- Glue Canopy Support Posts 2x (1) into mounting holes on Canopy (Fig. 7a).

**NOTE:** Make sure Posts are straight.

- Glue Canopy Support Post Base (2) to bottom of Canopy Support Posts (1) (Fig. 7b).

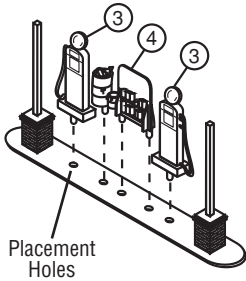


## 8. Install Details

To install Details, apply glue to placement post, then align in placement hole. Use tweezers for hard to reach areas.

**NOTE:** The following Details do not have mounting holes: Small Tire x2 (11), Canister (12), Small Group of Tires (13), Set of two Tires (15).

Fig. 8a



Placement Holes

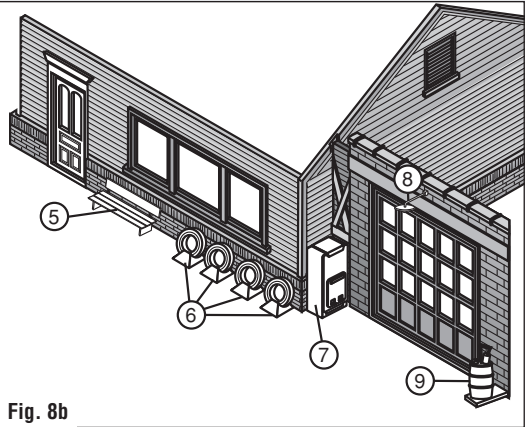
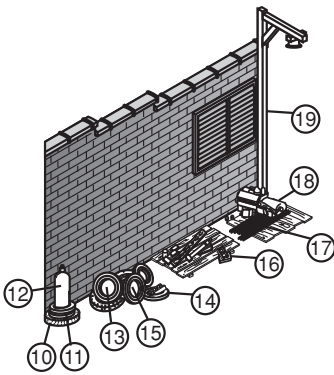


Fig. 8b

**Awning Base (Fig. 8a):** Gas Pump x2 (3), Trashcan and Oil Display (4)

**Front (Fig. 8b):** Bench (5), Mounted Tires x4 (6), Cola Machine (7), Garage Light (8), Oil Barrel with Pump (9)

Fig. 8c



**Right Side (Fig. 8c):** Large Tire (10), Small Tire x2 (11), Canister (12), Large Group of Tires (13), Small Tire and Block (14), Set of two Tires (15), Pallet with Tools (16), Pallet with Machine and Steel Bars (17), Engine Block (18), Tall Lamp (19)

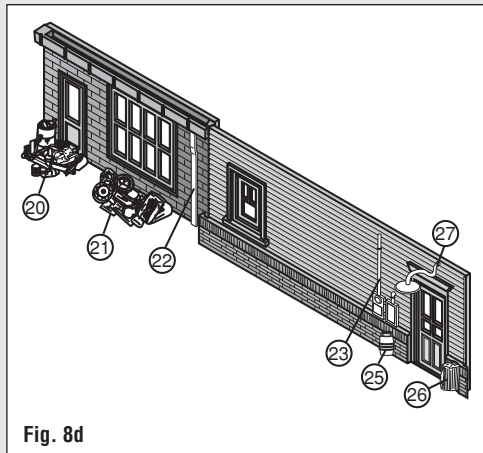


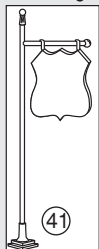
Fig. 8d

**Back (Fig. 8d):** Trashcan and Trash (20), Pile of Trash with Tires (21), Downspout (22), Electric Meter and Junction Box (23), Barrel (25), Trashcan (26), Light (27)

## 8. Install Details cont.

**Left Side (Fig. 8e):** Hose (28), Bucket (29), Watering Can (30), Assembled Motorcycle (31,32), Ice Machine (33), Light (34)

**NOTE:** Glue Handlebars (32) to Motorcycle (31) before attaching to building.



Free-standing Sign (41)

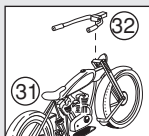


Fig. 8e

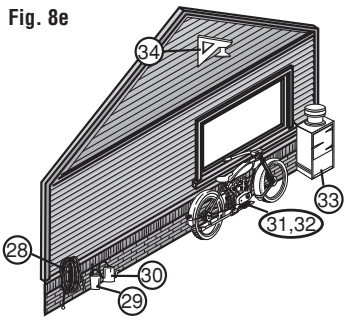
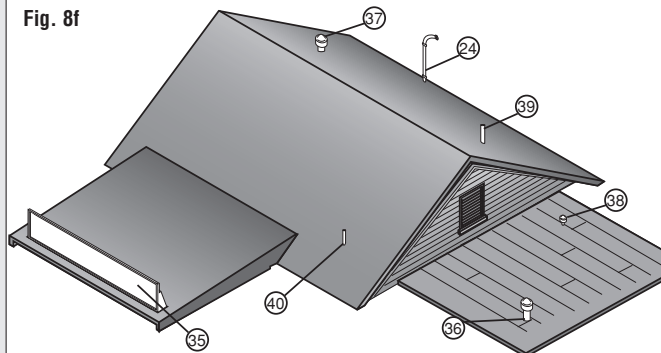


Fig. 8f



**Roof (Fig. 8f):**

Sign (35),  
Large Vent-Tall (36),  
Large Vent-Short (37),  
Small Vent (38),  
Tall Pipe Vent (39),  
Short Pipe Vent (40),  
Electric Meter  
Conduit (24)

## 9. Install Blackout Paper

- Cut two sheets of Blackout Paper, each measuring 2 3/8" w x 3/4" h (6.03 cm x 1.9 cm).
- Cut two additional sheets of Blackout Paper, each measuring 1 5/8" w x 3/4" h (4.12 cm x 1.9 cm).
- Lay the two sheets on top of each other, then cut a notch half way up (Fig. 9a).
- Assemble Blackout Paper as shown (Fig. 9b).
- Insert into building (Fig. 9c).
- Place a drop of glue at each corner of the Blackout Paper to hold in place.

Fig. 9a

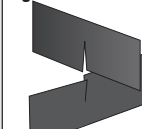


Fig. 9b

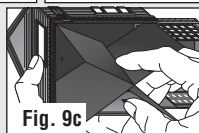


Fig. 9c

## Tips and Techniques

### Painting Tips

**Airbrush or Hand-brush:** Use enamel (solvent-based) or acrylic (water-soluble) flat finish paint.

**Aerosol:** Use flat finish spray paint.

### Weathering Techniques

**Weathering Wash:** Add a realistic weathered look (formula follows). Lay structure flat so Wash spreads evenly. Using a paintbrush, dab on small amounts of Weathering Wash until desired look is achieved. Sponge off excess.

**Formula:** Mix 1-part acrylic paint (color suggestion: earth-tone shade), 12-parts rubbing alcohol, 8-parts water and 1 drop liquid dish soap.

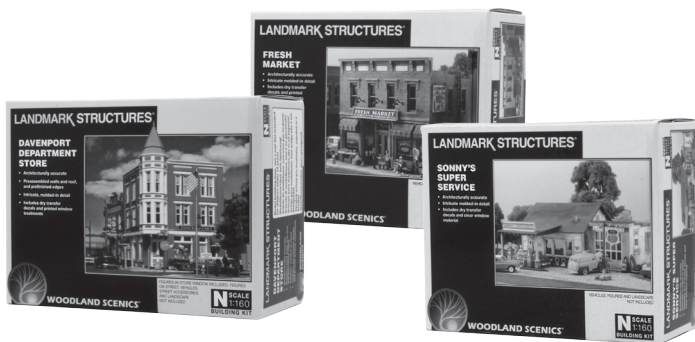
**Airbrush:** Spray thinned flat black paint lightly onto select areas (color suggestion: grimy black). Add more where discoloration occurs naturally (near windows, roof details, etc.).

**Chalk:** Rub a dark color of pastel chalk on sandpaper to create chalk dust (color suggestion: gray, black, brown, etc.). Using a paintbrush, dab chalk dust where discoloration can occur.

**Decals:** Age Decals by scoring and chipping with a hobby knife.

## Look for these other N scale Landmark Structures Building Kits at your local hobby shop.

PF5200 Fresh Market  
PF5204 Sicken Tire Company  
PF5206 Country Cottage  
PF5207 Woodland Station  
PF5214 Davenport Department Store



## Just Plug® LIGHTING SYSTEM

The Just Plug Lighting System is a complete, quick and easy way to add realism to new and existing layouts and other projects. No electrical knowledge or special tools are needed. Just Plug and you're done! Individual bulb brightness can be controlled, and special window film eliminates the need for building interiors. The modular design allows for easy expansion, and Just Plug works for all scales.



It's as easy as placing  
a light and setting  
your building on top.