

LANDMARK STRUCTURES®

N SCALE
1:160
BUILDING KIT

FRESH MARKET PF5200

Model the local flavor of a bustling downtown layout. The Fresh Market presents a vintage storefront ready to tell the story of an era steeped in culinary tradition. Use Dry Transfer Decals to advertise a family bakery, a father/son butcher shop or another hometown taste.

MODELING AND CARE INFORMATION

This kit suggests the use of materials that may stain or cause damage. Take care to cover project area and clothing appropriately. Follow recommendations for use and cleanup.

CAUTION: Cutting tools recommended. Use with care.



We make every effort to ensure our kits are manufactured complete. However, if this kit is missing a part, please make note of the kit name, number and missing part. Contact the Sales and Customer Service Department at PO Box 98, Linn Creek, MO 65052, 573-346-5555 or sales@woodlandscenics.com.



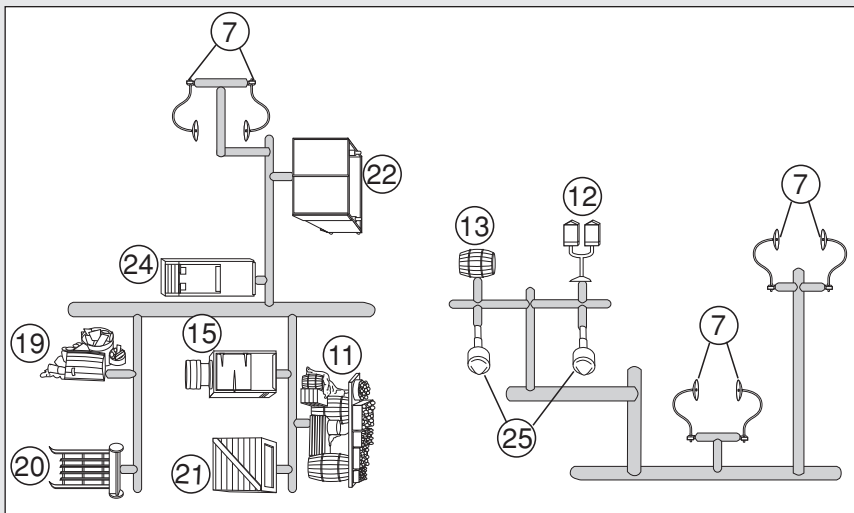
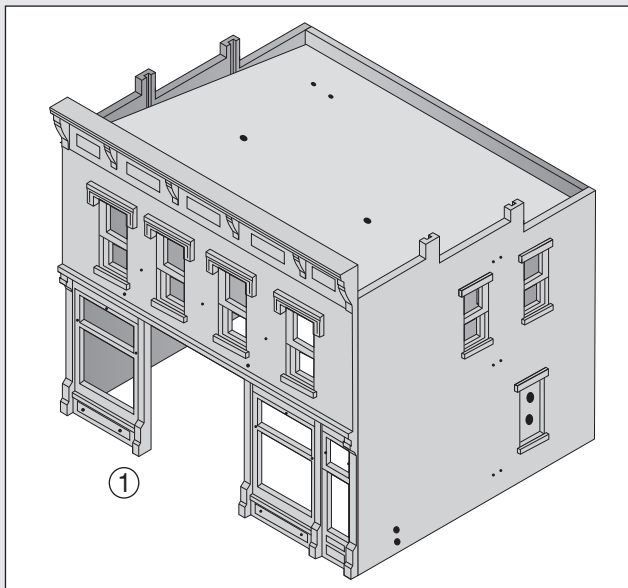
WOODLAND SCENICS®

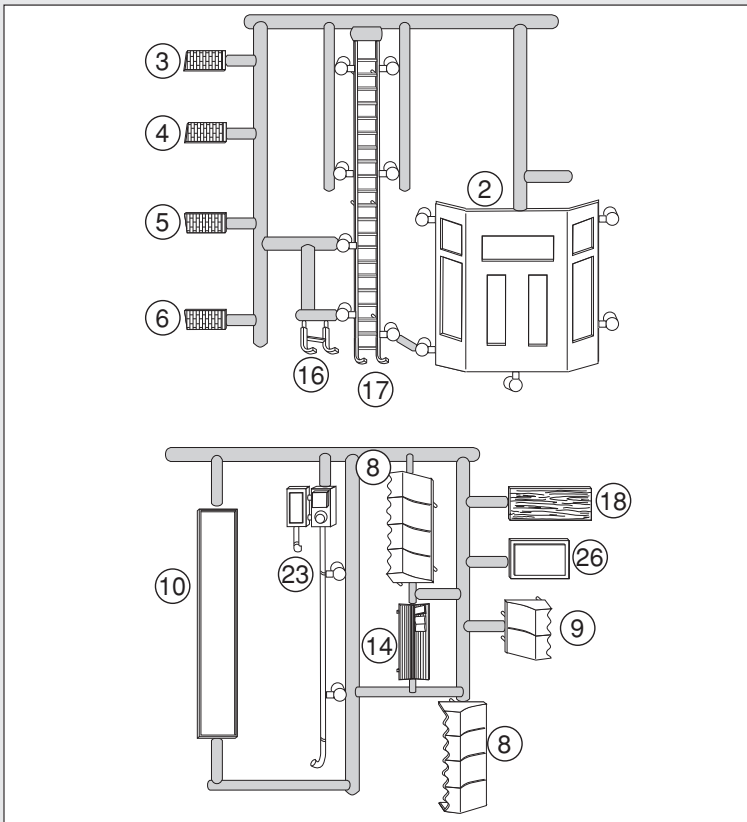
XPF5200INST N4 ©2015 O CO

FRESH MARKET

Building Kit Contents

- Building Shell
- Sprues with Details
- Printed Window Material
- Clear Window Material
- Dry Transfer Decals
- Blackout Paper





Before You Begin

- Read through instructions.
- Collect additional supplies.
- Check kit contents and verify Details.
- Cover project area with newspaper.

TIP! To assist in assembly, refer to exploded-view illustration on back of box.

Additional Needed Supplies

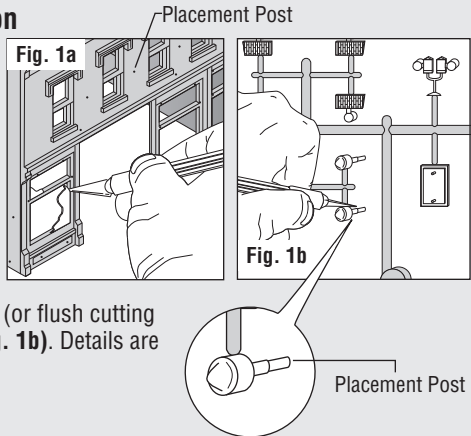
- | | |
|--|---|
| <input type="checkbox"/> Solvent-based Plastic Cement* | <input type="checkbox"/> Fine-grade Sandpaper |
| <input type="checkbox"/> Cyanoacrylate Adhesive (CA glue / super glue) | <input type="checkbox"/> Tweezers |
| <input type="checkbox"/> Paints (acrylic or enamel)* | <input type="checkbox"/> Scissors |
| <input type="checkbox"/> Primer* | <input type="checkbox"/> Ruler |
| <input type="checkbox"/> Painting Tools | <input type="checkbox"/> Newspaper |
| <input type="checkbox"/> Hobby Knife / Flush Cutting Shears | <input type="checkbox"/> Burnisher or Dull Pencil |

NOTE: Always allow glue to set before moving to the next step. Plastic cement works by dissolving the surface of plastic and welding parts together. Avoid contact with detail on parts.

*Contact your local hobby shop for recommendations.

1. Building and Detail Preparation

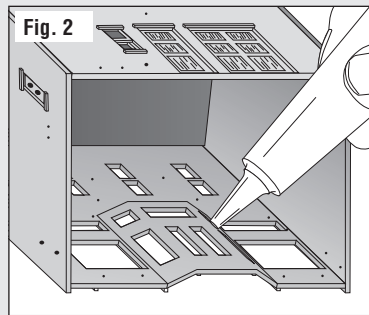
- Remove any mold flash from Building Shell ① using a hobby knife and sandpaper (**Fig. 1a**). Mold flash may need to be cleaned from placement holes.
- Wash Building Shell and Details (on sprue) in warm, soapy water using a mild detergent. Rinse and let dry.
- Details can be left on sprues or removed for priming and painting. If removing Details, use a hobby knife (or flush cutting shears) and sand off parting lines (**Fig. 1b**). Details are easier to paint on sprue.
- Do not remove placement posts.



2. Install Front Door Assembly

Install Front Door using plastic cement or cyanoacrylate adhesive (CA glue / super glue).

- Place Building on its front face.
- Position Front Door Assembly ② into slots and apply glue along inside seams (**Fig. 2**).

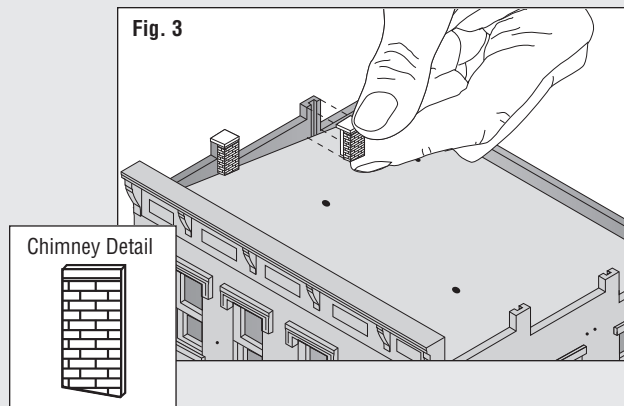


3. Attach Chimney Backs

Attach Chimney Backs using plastic cement or cyanoacrylate adhesive (CA glue / super glue).

- Glue Chimney Backs in place one at a time (**Fig. 3**).
- Left-back ③, Left-front ④, Right-back ⑤, Right-front ⑥.

NOTE: Each Chimney Back has a specific location. Chimney Backs should set flush with top of molded-in chimneys and slanted roof.



4. Prime and Paint

NOTE: Do not prime or paint placement posts.

- Apply a thin coat of primer to Building and Details.
- Allow to dry.
- Paint Building and Details, as desired.
- Allow to dry.

OPTION: Add a realistic mortar-look to brickwork (see *Tips and Techniques*, page 6).

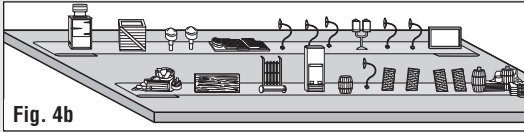


Fig. 4b

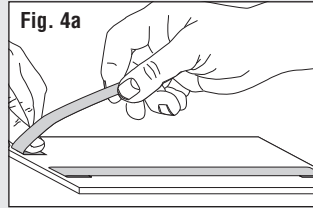


Fig. 4a

TIP! To make priming and painting easier, tape Details (unexposed side down) to loops of masking tape on a piece of cardboard (Fig. 4a and 4b).

5. Install Window Material

Position printed side of Printed Window Material toward interior of building. If clear windows are preferred, use Clear Window Material. Remove protective film before installation.

- Cut Printed Window Material along cut-lines.
- Align Window Material over corresponding windows on inside of Building. Verify placement, then glue in place. Dab a small amount of glue carefully around edges (Fig. 5). Repeat for each set of window openings.

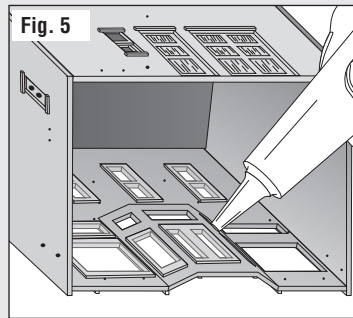


Fig. 5

TIP! Apply Dry Transfer Decals to front windows before installing.

6. Apply Decals

Test fit Signs before applying Decals. You don't want your sign upside-down!

- Cut out Decals, leaving a slight edge (Fig. 6a).
- Grasp edge of Decal with tweezers and avoid handling the back. Position in desired location and rub over entire Decal area with a burnisher or dull pencil (Fig. 6b).
- Lift away carrier sheet carefully. If Decal did not transfer completely, let carrier sheet fall back in place and burnish again.
- Place backing paper over Decal and rub again for maximum adhesion.

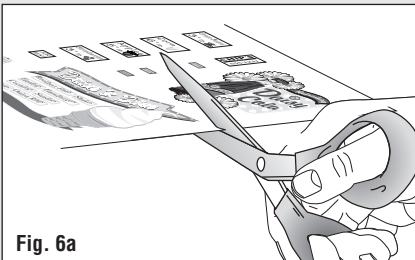


Fig. 6a

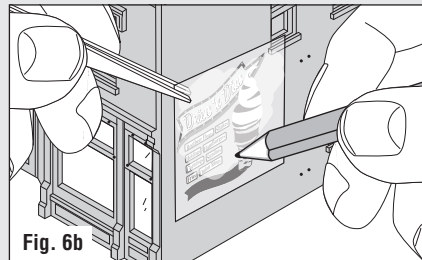
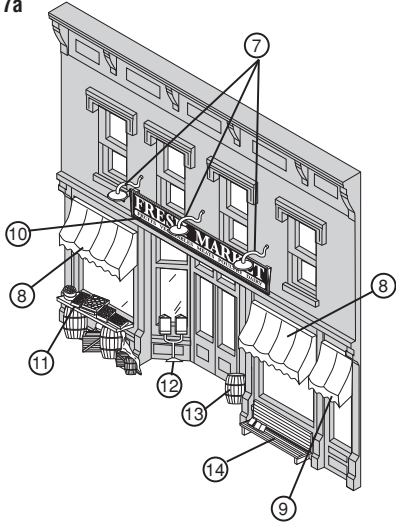


Fig. 6b

7. Install Details

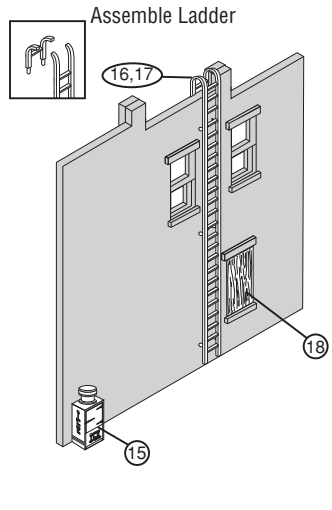
Install Details using a cyanoacrylate adhesive (CA glue / super glue). Apply a tiny amount of glue to placement post, then align in placement hole. Use tweezers to make installation easier. **NOTE:** Extra Part: Light (7)

Fig. 7a



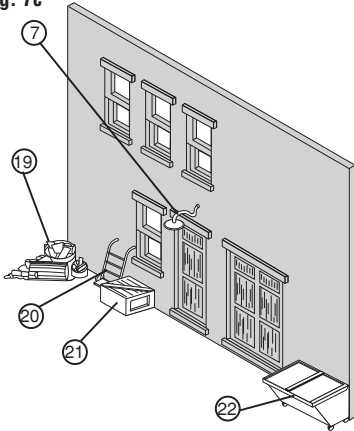
Front (Fig. 7a): Awning 2x (8), Small Awning (9), Light 3x (7), Sign (10), Fruit Stand (11), Gumball Machine (12), Wooden Barrel (13), Bench (14)

Fig. 7b



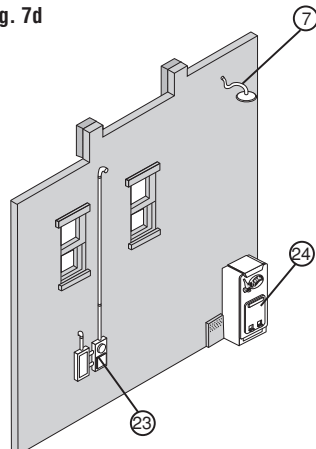
Right Side (Fig. 7b): Ice Machine (15), Ladder Top Section (16), Ladder (17), Window Board (18)
NOTE: Apply glue at connection points on Ladder Assembly (16, 17), then install.

Fig. 7c



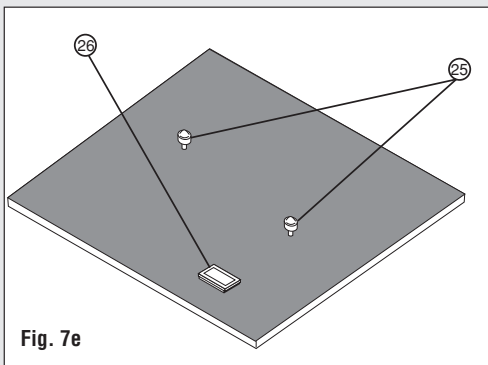
Back (Fig. 7c): Light (7), Trashcan and Trash Dumpster (19), Handcart (20), Wooden Crate (21), Dumpster (22)

Fig. 7d



Left Side (Fig. 7d): Electric Meter and Junction Box (23), Cola Machine (24), Light (7)

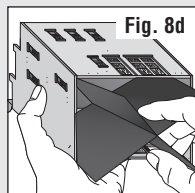
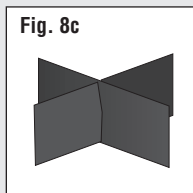
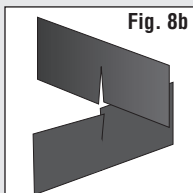
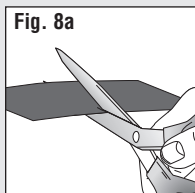
7. Install Details cont.



Roof (Fig. 7e): Vent 2x (25), Hatch (26)

8. Install Blackout Paper

- Cut two sheets of Blackout Paper, each measuring 2 3/4" w x 1 3/4" h.
- Lay the two sheets on top of each other, then cut a notch halfway up (Fig. 8a).
- Assemble Blackout Paper as shown (Fig. 8b and 8c).
- Insert into building (Fig. 8d).
- Place a drop of glue at each corner of the Blackout Paper to hold in place.



Tips and Techniques

Lighting

To reduce glare and light bleed when lighting structure (lights not included), paint interior walls and underside of roof black or use the Just Plug® Light Block Kit (JP5716).

Painting Tips

- **Airbrush or Hand-brush:** Use enamel (solvent-based) or acrylic (water-soluble) flat finish paint.
- **Aerosol:** Use flat finish spray paint.

Weathering Techniques

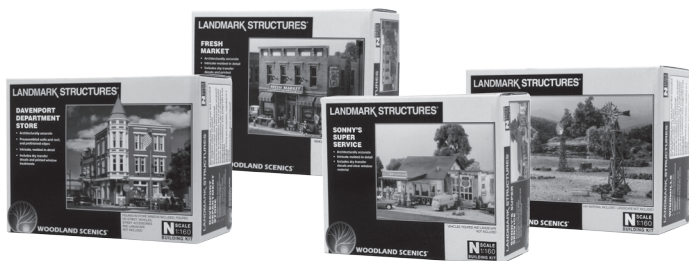
- **Weathering Wash:** Add a realistic weathered look (formula follows). Lay building flat so wash spreads evenly. Using a paintbrush, dab on small amounts of Weathering Wash until desired look is achieved. Sponge off excess.

Formula: Mix 1-part acrylic paint (color suggestion: earth-tone shade), 12-parts rubbing alcohol, 8-parts water and 1 drop liquid dish soap.

- **Age Decals:** Score and chip with a hobby knife.
- **Airbrush:** Spray thinned flat black paint lightly onto select areas (color suggestion: grimy black). Add more where discoloration occurs naturally (near windows, roof details, etc.).
- **Chalk:** Rub a dark color of pastel chalk on sandpaper to create chalk dust (color suggestion: gray, black, brown, etc.). Using a paintbrush, dab chalk dust where discoloration occurs.

Look for these other N scale Landmark Structures Building Kits at your local hobby shop.

PF5200 Fresh Market
PF5204 Sicken Tire Company
PF5206 Country Cottage
PF5207 Woodland Station
PF5213 Windmills
PF5214 Davenport Department Store



Just Plug[®] LIGHTING SYSTEM

The Just Plug Lighting System is a complete, quick and easy way to add realism to new and existing layouts and other projects. No electrical knowledge or special tools are needed. Just Plug and you're done! Individual bulb brightness can be controlled, and special window film eliminates the need for building interiors. The modular design allows for easy expansion, and Just Plug works for all scales.



**It's as easy as placing
a light and setting
your building on top.**