

# LANDMARK STRUCTURES®

**HO** SCALE  
1:87  
BUILDING KIT

## BUZZ'S SAWMILL

PF5195

Buzz's Sawmill is a detailed work of art with all workings of a vintage steam-fired, belt-driven sawmill. Details include interior rafters and shake roof, attached tool shed, pot belly stove, steam engine, sawdust conveyor, overhead crane, loads of tools, sawdust and wood piles, Buzz figure and many more!



### MODELING AND CARE INFORMATION

This kit suggests the use of materials that may stain or cause damage. Take care to cover project area and clothing appropriately. Follow recommendations for use and cleanup.

**CAUTION:** Cutting tools recommended. Use with care.



**WOODLAND SCENICS®**

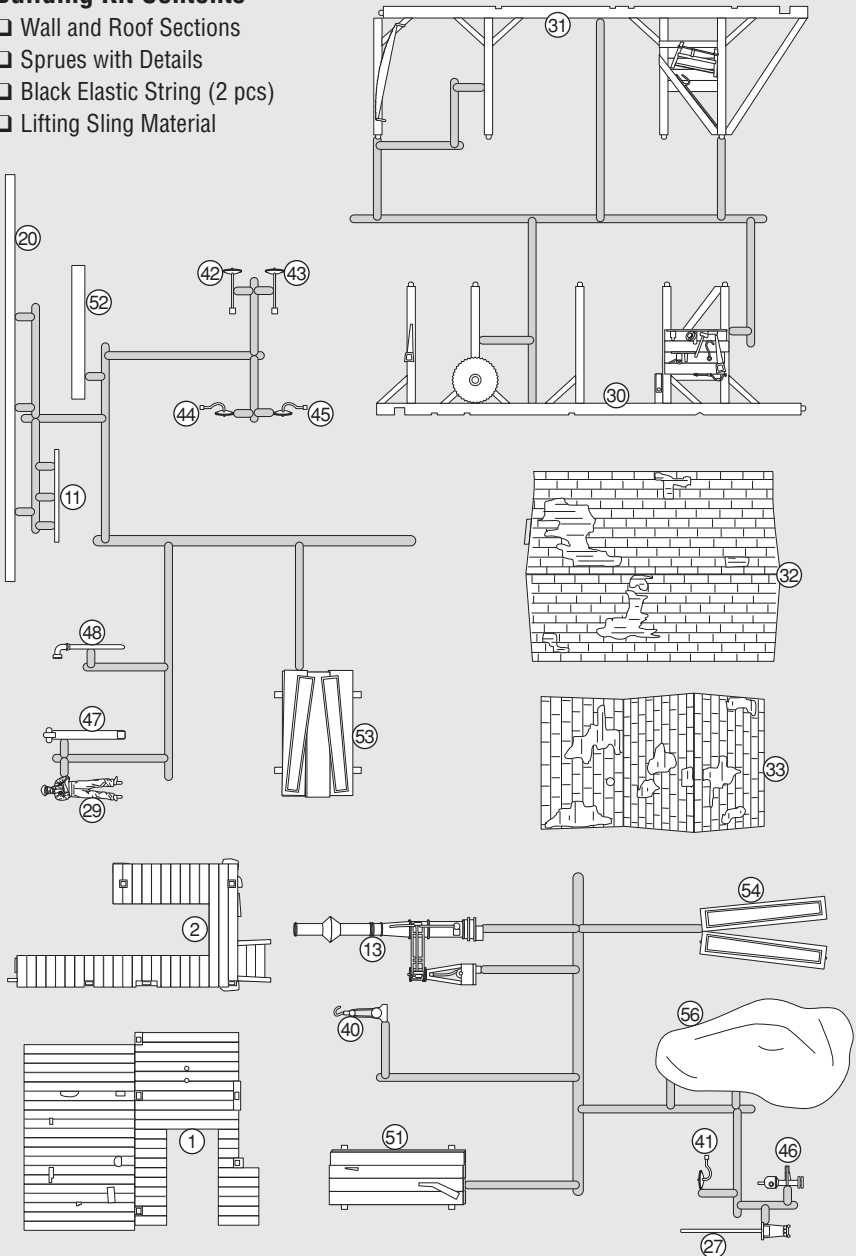
We make every effort to ensure our kits are manufactured complete. However, if this kit is missing a part, please make note of the kit name, number and missing part and contact the Woodland Scenics Sales and Customer Service Department at PO Box 98, Linn Creek, MO 65052, 573-346-5555 or [sales@woodlandscenics.com](mailto:sales@woodlandscenics.com).

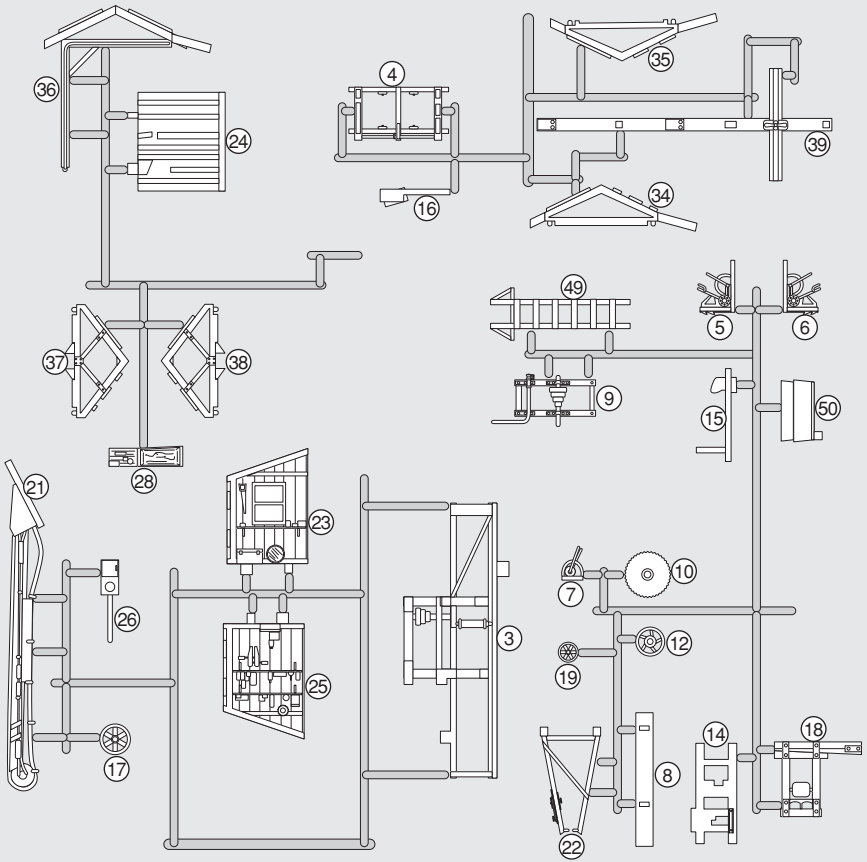
XPf5195INST G11 ©2015 O CO

## BUZZ'S SAWMILL

### Building Kit Contents

- Wall and Roof Sections
- Sprues with Details
- Black Elastic String (2 pcs)
- Lifting Sling Material





## Before You Begin

- Read through instructions.
- Collect additional supplies.
- Check kit contents and verify Details.
- Cover project area with newspaper.

**TIP!** To assist in assembly, refer to exploded-view illustration on back of box.

## Additional Needed Supplies

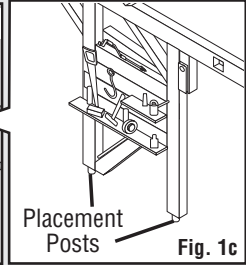
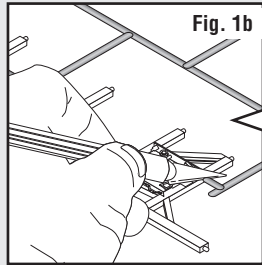
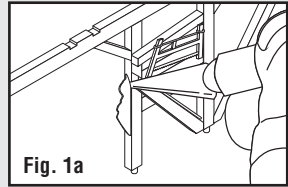
- |  |   |
|--|---|
| <input type="checkbox"/> Solvent-based Plastic Cement*                 | <input type="checkbox"/> Fine-grade Sandpaper |
| <input type="checkbox"/> Cyanoacrylate Adhesive (CA glue / super glue) | <input type="checkbox"/> Tweezers             |
| <input type="checkbox"/> Paints (acrylic and/or enamel)*               | <input type="checkbox"/> Newspaper            |
| <input type="checkbox"/> Primer*                                       |   |
| <input type="checkbox"/> Painting Tools                                |   |
| <input type="checkbox"/> Hobby Knife / Flush Cutting Shears            |   |

**NOTE:** Allow glue to set before moving on to the next step. Plastic cement works by dissolving the surface of plastic and welding parts together. Avoid contact with detail on parts.

\*Contact your local hobby shop for recommendations.

## 1. Prepare Building and Details

- Remove mold flash from Building Parts and Details using a hobby knife and sandpaper (**Fig. 1a**). Do not remove Details from sprues at this time.
- Wash Building Parts and Details in warm, soapy water using a mild detergent. Rinse and let dry.
- Details can be left on sprues (recommended) or removed for priming and painting. Remove using a hobby knife (or flush cutting shears) and sand off parting lines (**Fig. 1b**). Details may be easier to paint on sprue. It also makes identifying them easier during assembly.
- Be careful to not remove placement posts or installation tabs (**Fig. 1c**).

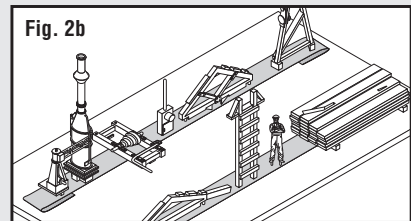
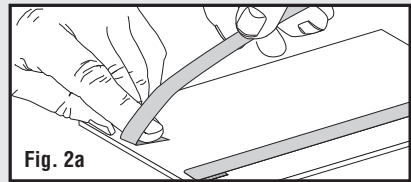


## 2. Prime and Paint

Do not prime or paint placement posts. Some Details may be easier to paint once assembled.

- Apply a thin coat of primer and let dry.
- Paint as desired and let dry. See Tips & Techniques on pg. 10 for painting tips and weathering techniques.

**TIP!** To make priming and painting loose Details easier, secure them to strips of masking tape (sticky side up) attached to a piece of cardboard (**Fig. 2a and 2b**).

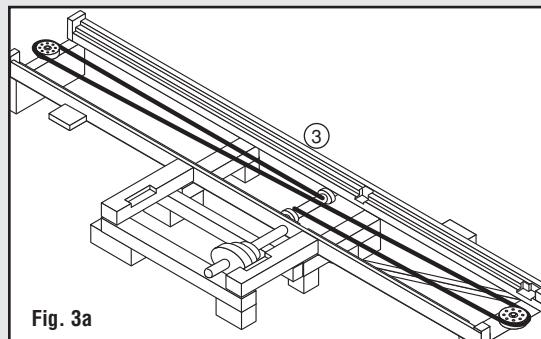


## 3. Assemble Details

**IMPORTANT:** Assemble and install Details molded in soft plastic with Cyanoacrylate Adhesive (CA glue / super glue) only. If Details were left on sprue while painting, remove with a hobby knife (or flush cutting shears). Test fit Details before gluing. Some Details have placement posts with specific positioning for ease of installation. Use a toothpick to apply a tiny amount of glue onto post and then insert into hole.

### Mill Track

- Glue longer length of Black Elastic String to Mill Track ③. Start by gluing one end to cable drum, wrap around a pulley on one end, then the pulley on the other end, and then back to cable drum (**Fig. 3a**).



### 3. Assemble Details cont.

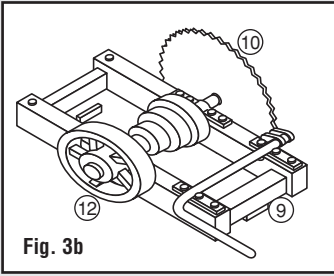


Fig. 3b

#### Husk Frame

- Glue Circular Saw Blade (10) and Drive Wheel (12) to Husk Frame (9) (Fig. 3b).

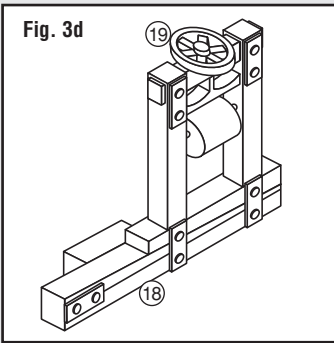


Fig. 3d

#### Tension Controller

- Glue Hand Wheel (19) to Belt Tension Controller (18) (Fig. 3d).

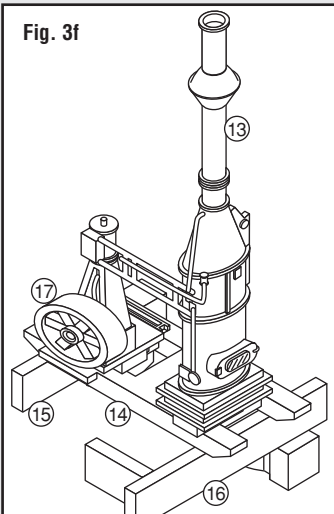


Fig. 3f

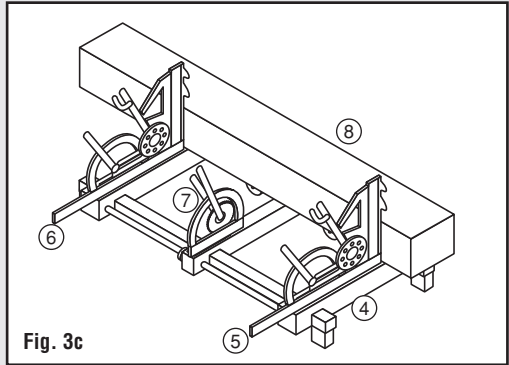


Fig. 3c

#### Carriage

- Glue Block of Wood (8), Head Block (5), Hand Break (7), and Head Block (6) to Carriage (4) (Fig. 3c).

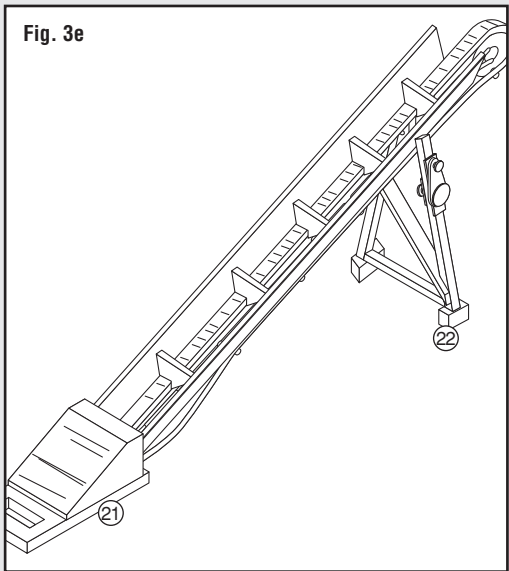


Fig. 3e

#### Conveyor

- Glue Conveyor Support (22) to Conveyor (21) (Fig. 3e).

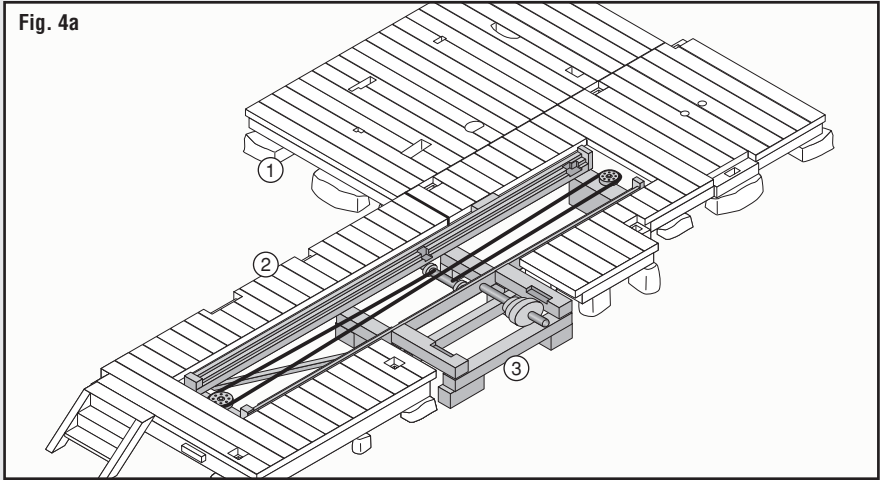
#### Steam Engine

- Glue Steam Engine (13), Drive Wheel (17), Base Support (15), and Base Support (16) to Steam Engine Base (14) (Fig. 3f).

## 4. Assemble Base

- Insert lip on Small Base (2) into notch on Large Base (1) (Fig. 4a).
- Insert Mill Track (3) underneath Base Assembly. Align tabs and notches and glue in place (Fig. 4a).

Fig. 4a



- Glue Tension Controller (18,19) onto edge of Mill Track Assembly (Fig. 4b).
- Glue Husk Assembly (9,10,12) onto top edge of Mill Track Assembly, aligning tabs and notches for proper placement. Then, glue Small Belt (11) to saw pulleys (Fig. 4c). **NOTE:** There will be a gap between the ends of the Belt.

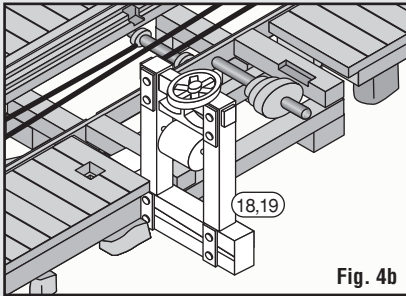


Fig. 4b

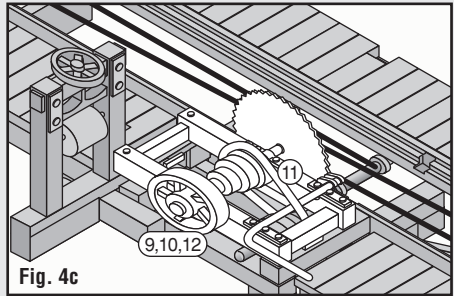


Fig. 4c

- Glue Steam Engine Assembly (13,14,15,16,17) to front edge of Base (Fig. 4d).

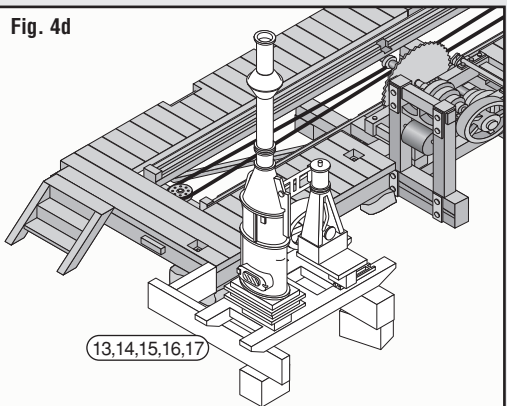
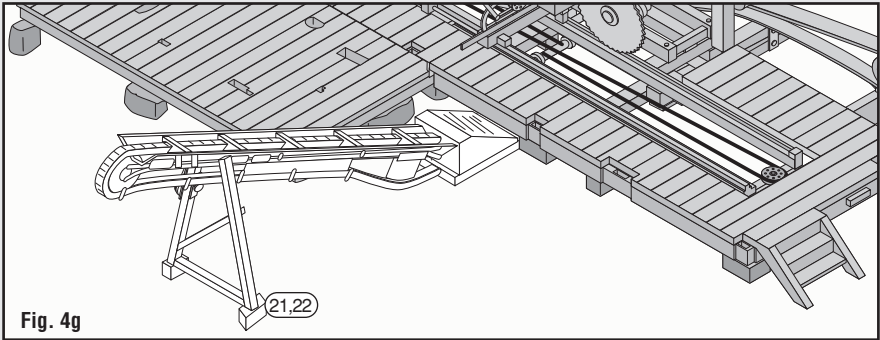
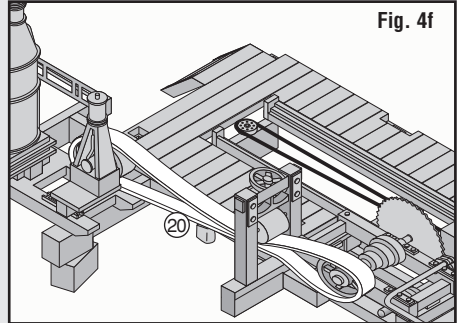
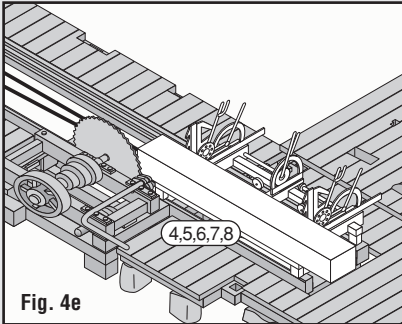


Fig. 4d

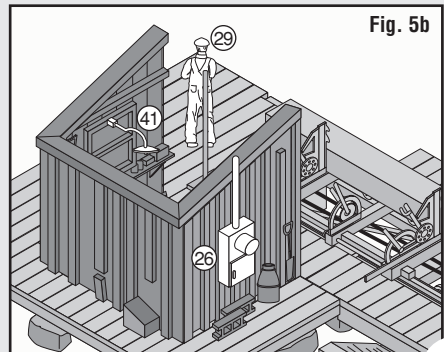
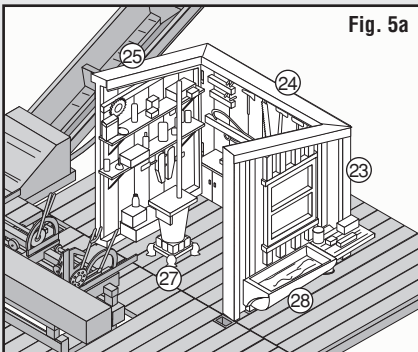
## 4. Assemble Base cont.

- Glue Carriage Assembly (4,5,6,7,8) in place on Mill Track (Fig. 4e).
- Glue Large Belt (20) to Drive Wheel (12) and Drive Wheel (17), running it between Tension Controller (Fig. 4f). Trim excess, if necessary.
- Align notch in base of Conveyor Assembly (21,22) with tab underneath Large Base (2) and glue in place (Fig. 4g).



## 5. Assemble Shed and Add Details

- Glue Back Wall (24) in place, followed by Right Wall (23) and then Left Wall (25) (Fig. 5a).
- Glue Woodstove (27) to base in center of Shed, and the Utility Shelf & Washtub (28) to exterior of Right Wall (Fig. 5a).
- Glue Man (29) to Base, and the Electric Box (26) to exterior of Left Wall (Fig. 5b). Glue Light (41) to interior Right Wall (Fig. 5b).





## 6. Install Frame and Roofing

- Glue Light 42 and Light 43 to underside of Large Roof 32 (Fig. 6a).
- Glue Large Trusses 34, 35, and 36 to Large Roof 32. Glue Small Trusses 37 and 38 to Small Roof 33. Trusses must be glued in correct order. (Fig. 6b)

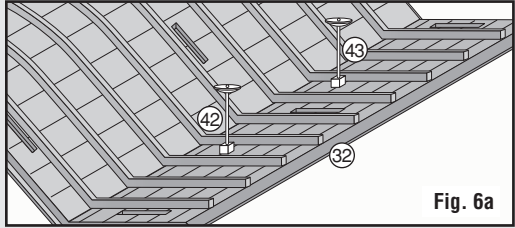
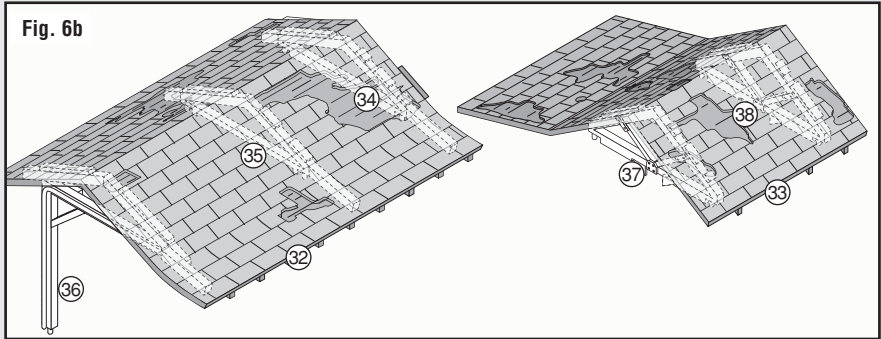
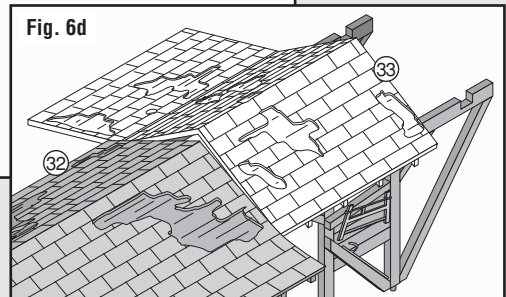
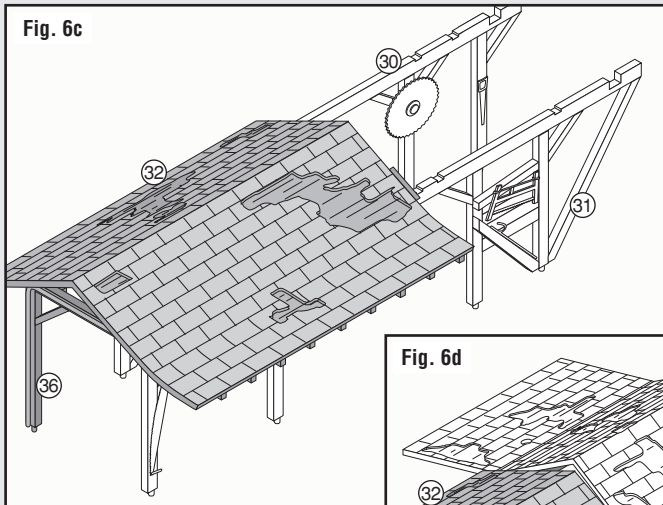


Fig. 6a



- Glue Frame Posts 30 to underside of Large Roof 32 on same side as Lights 42 and 43. Begin by inserting end pin on Frame Posts 30 into hole on Truss 36. Align placement pins on Trusses with placement holes in Frame Posts 30. (Fig. 6c)
- Attach Frame Posts 31 to other side of Large Roof in the same manner as Frame Posts 30 (Fig. 6c).
- Align tabs with notches on Small Roof 33 and Large Roof 32, and then glue in place on Frame Posts 30 and 31 (Fig. 6d).





## 6. Install Frame and Roofing cont.

- Glue Roof/Frame Posts Assembly to Base. Make sure placement pins align with placement holes (Fig. 6e). Woodstove pipe should fit into placement hole in Small Roof ceiling.

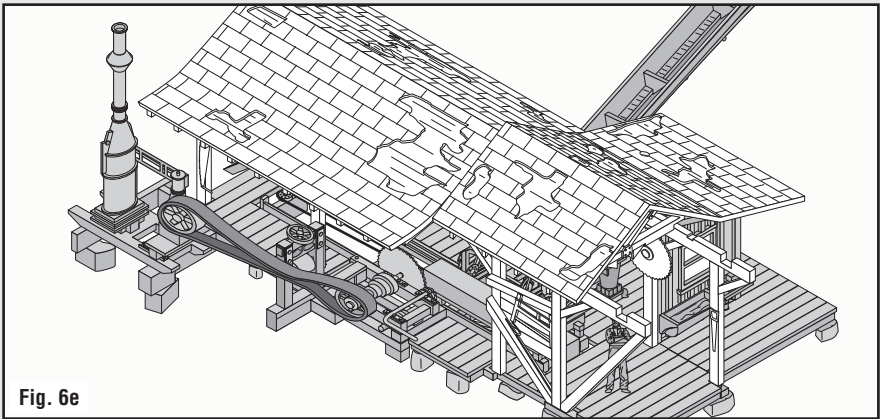


Fig. 6e

- Glue Lamp (44) and Motor & Pulley (46) to Frame Post (30) (Fig. 6f).
- Glue Lamp (45) to Truss (36) (Fig. 6f).
- Attach Black Elastic String to pulley on Motor & Pulley and pulley on Conveyor (Fig. 6f).

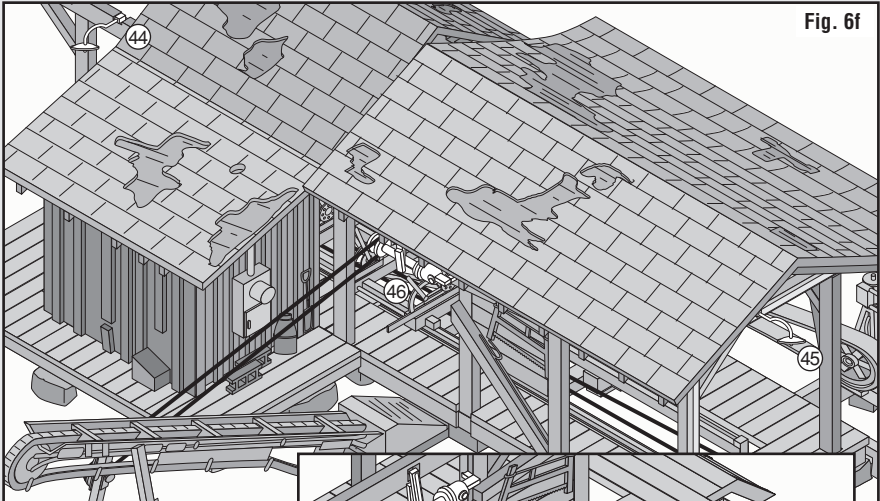
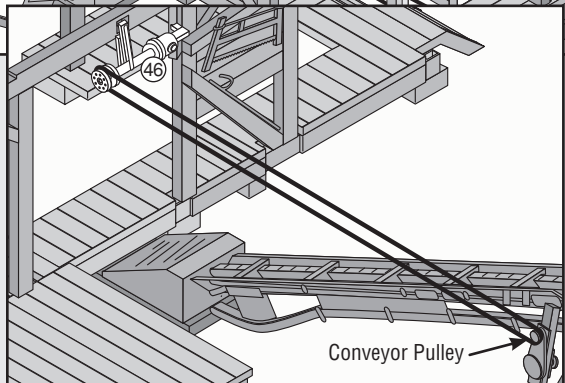


Fig. 6f



## 7. Trolley Hook

- Glue Trolley Beams (39) into notches on Frame Posts (30) and (31), and to underside of Trusses (37, 38, and 34) (Fig. 7a).
- Glue Trolley Hook (40) into groove on underside of Trolley Beam (Fig. 7a).

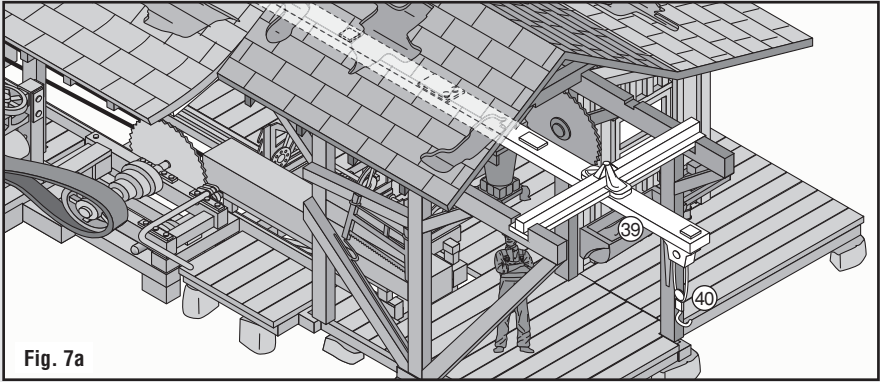


Fig. 7a

## 8. Final Details

- Glue Stove Vent (47) and Electrical Conduit (48) to Small Roof (Fig. 8a).
- Glue Ladder (49) to back of Small Roof and Stairs (50) to end of Base (Fig. 8b).
- Glue Wood Stack B Top (54) to Wood Stack B Base (53). Then, glue Lifting Sling Material into holes in Wood Stack B Top (Fig. 8c).

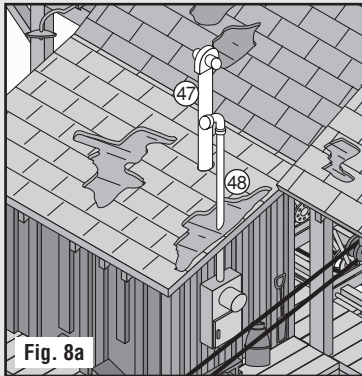


Fig. 8a

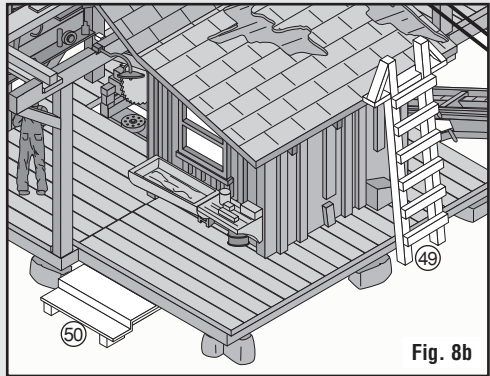


Fig. 8b

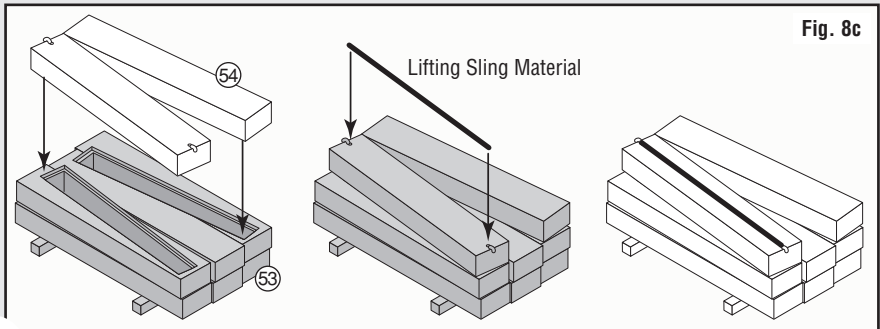
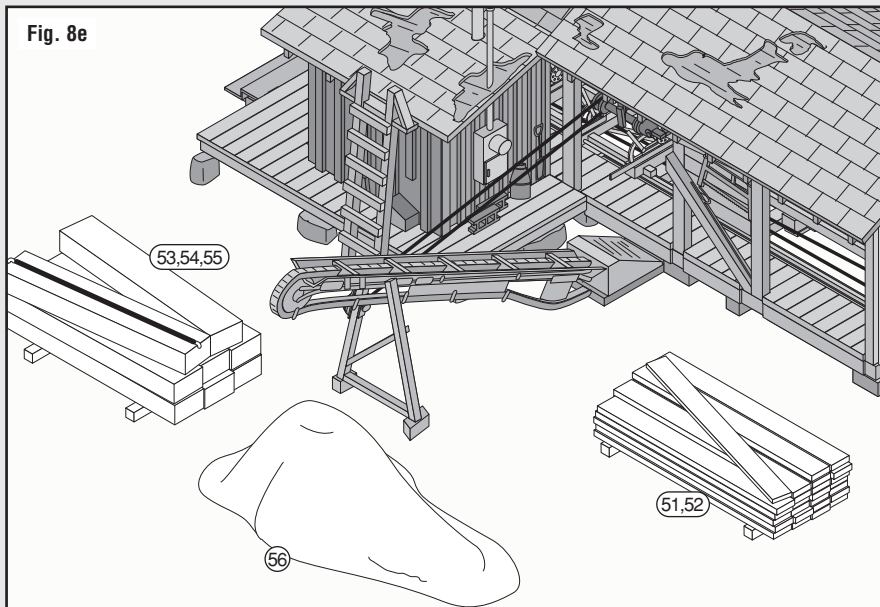
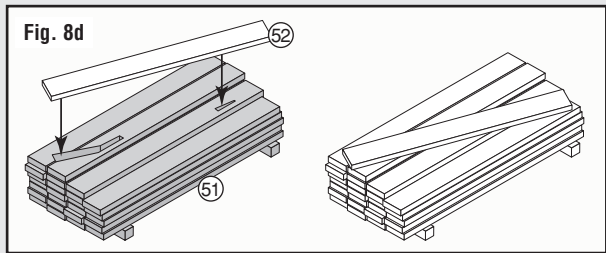


Fig. 8c

## 8. Final Details cont.

- Glue Wood Stack A Top (52) to Wood Stack A Base (51) (Fig. 8d).
- Place Wood Stack A (51,52), Wood Stack B (53,54,55), and Sawdust Pile (56) where desired. See box for footprint suggestion. (Fig. 8e)



## Tips and Techniques

### Painting

**Airbrush or Hand-brush** Use enamel (solvent-based) or acrylic (water-soluble) flat finish paint.

**Aerosol** Use flat finish spray paint.

### Weathering Techniques

**Weathering Wash** Add a realistic weathered look (formula follows). Lay building flat so wash spreads evenly. Using a paintbrush, dab on small amounts of Weathering Wash until desired look is achieved. Sponge off excess.

**Formula:** Mix 1-part acrylic paint (color suggestion: earth-tone shade), 12-parts rubbing alcohol, 8-parts water and 1 drop liquid dish soap.

**Airbrush** Spray thinned flat black paint lightly onto select areas (color suggestion: grimy black). Add more where discoloration occurs naturally (near windows, roof details, etc.).

**Chalk** Rub a dark color of pastel chalk on sandpaper to create chalk dust (color suggestion: gray, black, brown, etc.). Using a paintbrush, dab chalk dust where discoloration can occur.

## Look for these other HO scale Landmark Structures Building Kits at your local hobby shop.

- PF5180 Fresh Market
- PF5181 Planters Feed and Seed Supply
- PF5182 Main Street Mercantile
- PF5183 Sonny's Super Service
- PF5184 Sicken Tire Company
- PF5185 O'Leary Dairy Distribution
- PF5186 Country Cottage
- PF5187 Woodland Station
- PF5188 D's Diner
- PF5189 Public Pavillion
- PF5190 Rustic Barn
- PF5191 Country Church
- PF5192 Windmills
- PF5193 Deuce's Bike Shop
- PF5194 Mo Skeeters Bait & Tackle
- PF5196 Corner Porch House



## Just Plug™ LIGHTING SYSTEM

The Just Plug Lighting System is a complete, quick and easy way to add realism to new and existing layouts and other projects. No electrical knowledge or special tools needed. Just plug and you're done! Individual bulb brightness can be controlled, and special window film eliminates the need for building interiors. The modular design allows for easy expansion, and Just Plug works for all scales.



It's as easy as placing  
a light and setting  
your building on top.