

DPM® LANDMARK STRUCTURES® N SCALE BUILDING KIT



OTTO'S PARTS #50300

INSTRUCTIONS

Read through instructions before beginning.

Use plastic cement to glue parts. Plastic cement works by dissolving the surface of plastic and welding parts together. Be careful to avoid contact with detail on parts and visible areas on Clear Window Material. Always allow glue to set thoroughly before moving on to next construction step.

Prepare Building Parts

Wash Walls, Door and Chimney Halves in warm, soapy water, rinse and let dry. Use a hobby knife and sandpaper to remove excess plastic (tabs and flash) that occurred during the molding process. **Tabs:** Score flush with part, snap off and sand smooth. **Flash:** Lightly scrape along edges to remove debris and sand smooth. Face cutting edge of blade opposite the scraping direction to avoid cutting into detail on Walls.

Square Draft Angles

Wall edges are angled (draft angles) to make removal from mold easier. Draft angles need to be sanded square to allow for proper assembly and a flush fit with adjoining Walls. To square edges, thumbtack a piece of 120-grit sandpaper to a board and draw Wall back and forth evenly on sandpaper until edge is square and level (Fig. 1). Edges to be sanded square do not have brick detail and are marked "A" (Fig. 2).

Door Side Panels

1. Using Side Panel Material (white styrene strip), cut two Entry Door Side Panels (503-6) the same height as Entry Door (503-5) (Fig. 4).
2. Glue Side Panels to Entry Door (Fig. 2 and 4).
3. Glue Entry Door Assembly to backside of Front Wall (503-1) (Fig. 4).

Wall Assembly

1. Glue Front Wall (503-1) to Side Wall (503-2). Align brick courses while keeping bottom edges as level as possible and corners square. **TIP!** Use styrene Roof as a square.
2. Glue Back Wall (503-3) to Side Wall (503-4) in same manner.
3. Glue Wall Assemblies to each other. Use rubber bands to hold Wall Assemblies together while making final adjustments and drying.

Roof Supports

Cut and glue Roof Supports (503-9) level around interior of walls approximately 3/16" down from top of Back Wall (Fig. 3 and 4).

Chimney

Glue Chimney Halves (503-7) together. When completely dry, file flat and square.

Roof

1. To make Roof (503-8), place building on Roof Material (white styrene) and trace around interior of Walls (avoid Entry Door Assembly). Cut out and trim to fit as needed.
2. Prime Roof and paint "grimy black" before installing. **TIP!** Cut small squares of scrap Roof Material and glue to Roof to simulate roof hatches. Small details add realism and interest to your building. Paint before gluing in place.

Level Building

On the thumbtacked piece of 120-grit sandpaper, carefully sand bottom of building in a circular motion to level bottom edges so it will sit level on layout.

Paint Building and Details

Apply a thin coat of primer before painting and let dry.

Airbrush: Use solvent-based, flat finish enamel paint.

Hand-brush: Use water-soluble, flat finish acrylic paint.

Aerosol: Use flat finish spray paint.

We recommend natural brick colors such as rust, tan or other earth tones. Paint door and window trim the same color as the brick or a contrasting color.

Weathering Tips

Add a realistic mortar-look to brickwork by painting on a concrete mortar wash (formula follows). Using a paintbrush, dab on small amounts of wash until desired look is achieved. Sponge off excess.

Formula: Mix 1-part acrylic paint (color suggestion: concrete or aged concrete), 12-parts rubbing alcohol, 8-parts water and 1 drop liquid dish soap.

Airbrush: Lightly spray thinned flat black paint (color suggestion: grimy black) to areas where natural discoloration can occur (near windows, chimneys, etc.).

Chalk: Rub a dark color of pastel chalk (color suggestion: gray, black, brown, etc.) on sandpaper to create a chalk dust. Using a paintbrush, dab chalk dust where discoloration can occur.

Install Windows

1. Cut Clear Window Material (clear styrene) to size to fit over an entire area of window openings at one time.
2. Center Window Material over windows on inside of building and carefully dab a small amount of glue around edges.
3. Repeat for each set of window openings.

Install Roof and Chimney

1. Glue Roof to Roof Supports (Fig. 4).
2. Position and glue Chimneys where desired.

Finishing Touches

Give your building the illusion of being occupied. Place a piece of black construction paper diagonally from corner-to-corner inside the building to block the light.

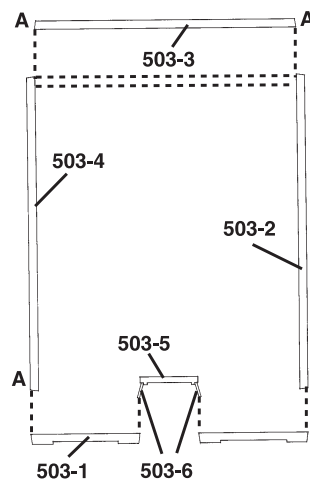


Fig. 1
Sand edges square

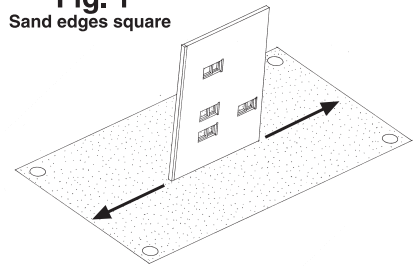


Fig. 2
Plan (View from Top)

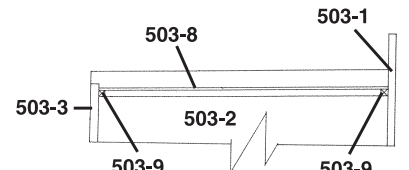


Fig. 3
Cross Section

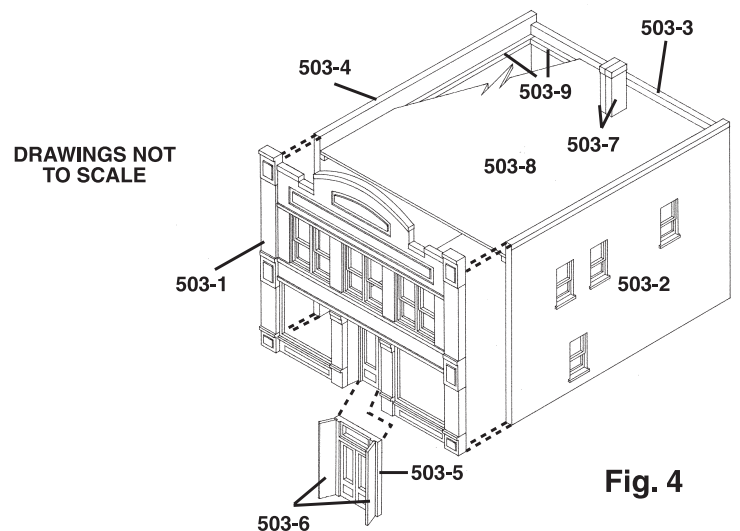


Fig. 4

Create interest on your layout. Add lights to your buildings quickly and easily using the Woodland Scenics® Just Plug® Lighting System.

